

FLUX Electric Sit Stand Work Platform



Flux Electric Desk Riser is an Electric Height Adjustable Solution for Your Existing Desk. Electric Drive at the Push of a Button. Capable of holding 25kg. Available in Black and White.

- RF1 – table top 880mm W x 415mm D - Keyboard Tray - 880mm W x 308mm D
- RF2 – table top 950mm W x 415mm D - Keyboard Tray - 880mm W x 308mm D
- Max Weight: 25kg
- Colours: Black with Black Powder-Coated frame and White with Silver Powder-Coated frame
- Riser Speed 22mm per Second
- Height Adjustment: 120mm – 500mm H
- Quiet Height Adjustment <50DB Motor Noise
- Quick Release Keyboard Tray
- MDF. Table Top & Keyboard Tray
- Black Control Panel button
- Grommet Hole for Monitor Arm
- Quick installation - No tools required (platform only)
- Hidden-In Motor makes for a clean & compact shape
- Cable management supplied in box
- Warranty: 5-years

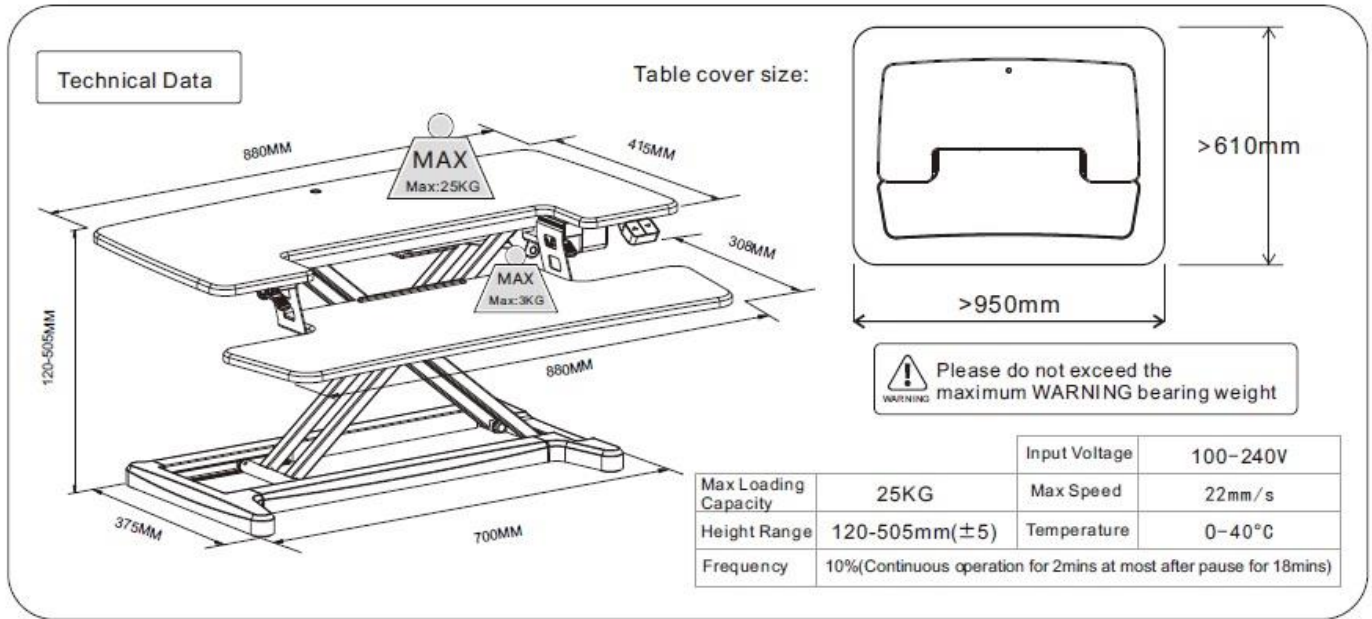


CHAIRCO

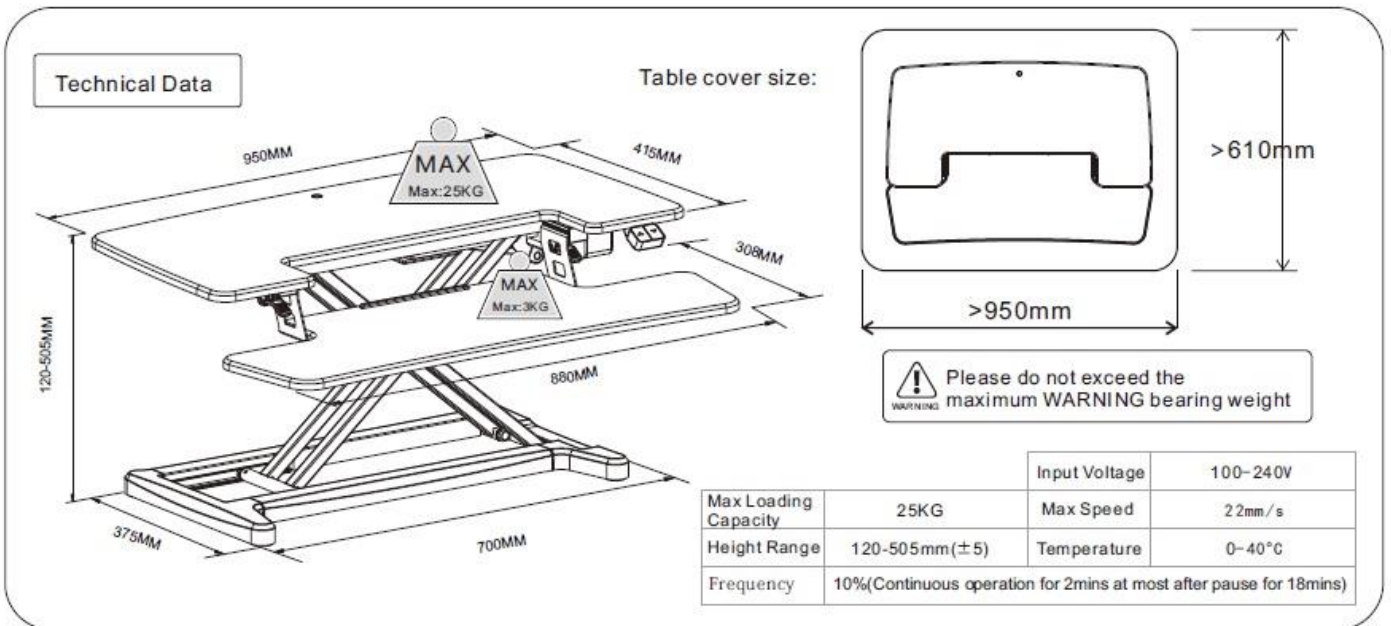
81 Baroona Road, Paddington Qld 4064

For further information go to www.chairco.com.au Tel: 3367 3808 E: info@chairco.com.au

RF1 Size – Technical Specification Measurements



RF2 Size – Technical Specification Measurements



CHAIRCO

81 Baroona Road, Paddington Qld 4064

For further information go to www.chairco.com.au Tel: 3367 3808 E: info@chairco.com.au